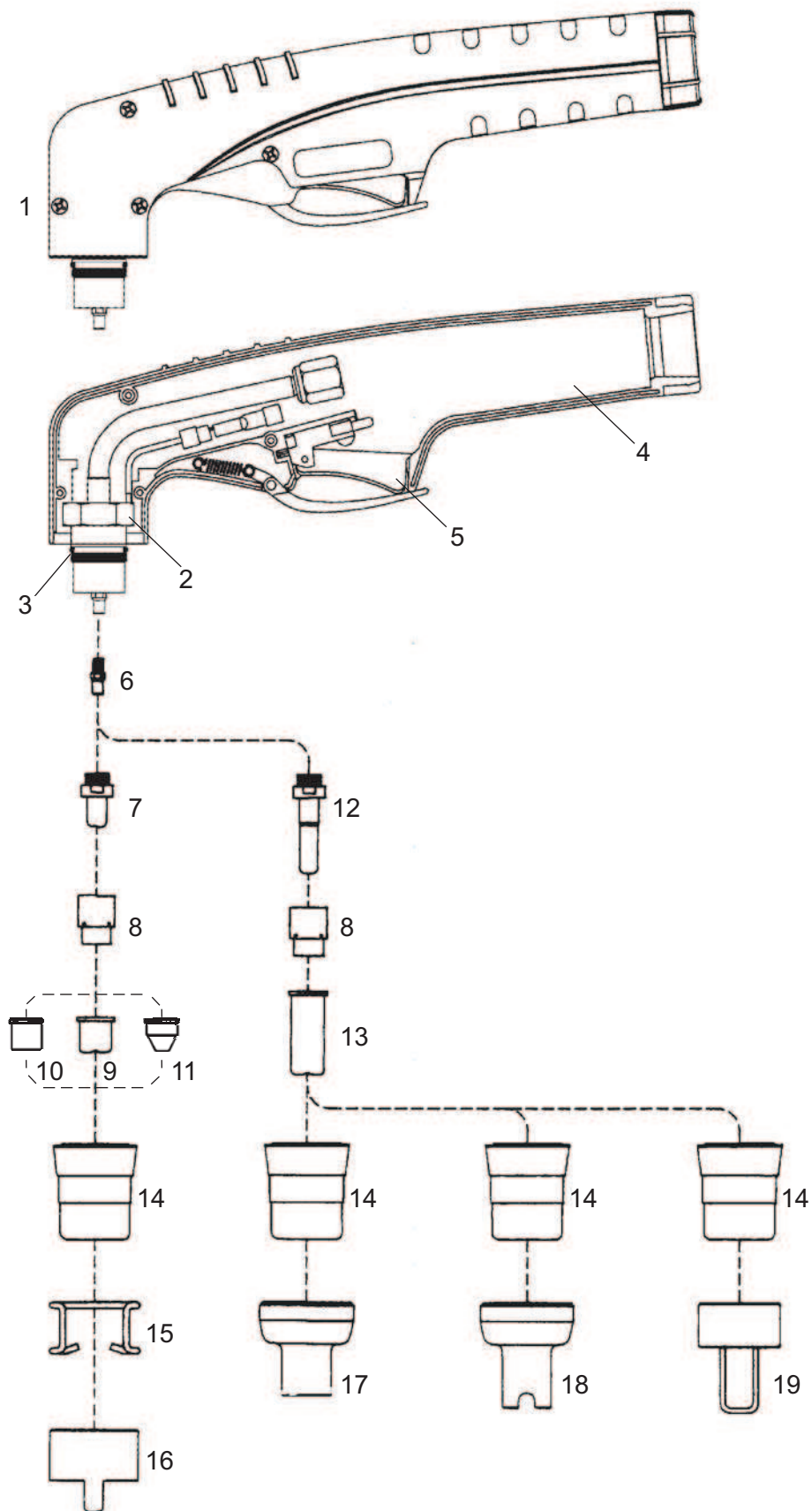


**Consumables suitable for CEBORA®  
35PC/HF (Art. 292) - P36 (Art. 938) - P52 (Art. 940) - P70 (Art. 941)**



No.	Ref.- No.	Order No.	Description
	1564	HG 1134LT	Hand torch complete with handle 6 m 1/8", textile.....
		HG 1134/1LT	Hand torch complete with handle 12 m 1/8", textile.....
	1573	HG 1130LT	Hand torch complete with handle 6 m central connection, textile.....
	1573.20	HG 1131LT	Hand torch complete with handle 12 m central connection, textile.....
	1344	HG 1129	Air and power cable 6m 1/8" for hand torch .....
		HG 1185	Air and power cable 12m 1/8" for hand torch .....
1		HG 1135KIT	Torch head complete with handle .....
2		HG 1135LT	Torch head.....
3	3.160.067	HG 1137	O-Ring for torch head .....
4		HG 1198LT	Handle with microswitch .....
5		HG 1026/6	Microswitch .....
6	3.065204	HG 1138	Diffusor (steel) .....
7	1402	HG 1139	Electrode hafnium .....
8		HG 1225	Swirl ring - VESPEL® .....
9	1309	HG 1151	Nozzle short Ø 0,9 mm / 35 Amp.....
9	1396	HG 1140	Nozzle short, long life Ø 1,0 mm / 50 Amp .....
9		HG 1028	Nozzle short, long life Ø 1,1 mm / 60 Amp .....
9	1308	HG 1141	Nozzle short, long life Ø 1,2 mm / 70 Amp .....
10		HG 1222	Nozzle flat Ø 1,0 mm / 50 Amp .....
10		HG 1154	Nozzle flat Ø 1,2 mm / 70 Amp .....
11	1305	HG 1004	Nozzle conical Ø 1,0 mm / 50 Amp. (low Amp.) .....
11		HG 1155	Nozzle conical Ø 1,2 mm / 70 Amp .....
12	1368	HG 1142	Electrode long hafnium .....
13	1366	HG 1152	Nozzle long Ø 0,9 mm / 35 Amp .....
13	1395	HG 1143	Nozzle long, long life Ø 1,0 mm / 50 Amp .....
13		HG 1029	Nozzle long, long life Ø 1,1 mm / 60 Amp .....
13		HG 1144	Nozzle long, long life Ø 1,2 mm / 70 Amp .....
14	5.710.171	HG 1145	Nozzle holder .....
15	1394	HG 1146	Spacer spring .....
16	1405	HG 1147	Double pointed spacer .....
17		HG 1156	Nozzle contact protection for long nozzle CE Norm .....
18		HG 1157	Nozzle contact protection with spacer CE Norm .....
19		HG 1158	Spacer piece for long nozzle.....
19		HG 1159	Spare spring for spacer .....
			Please, find the suitable circle cutting attachment on page 3.